

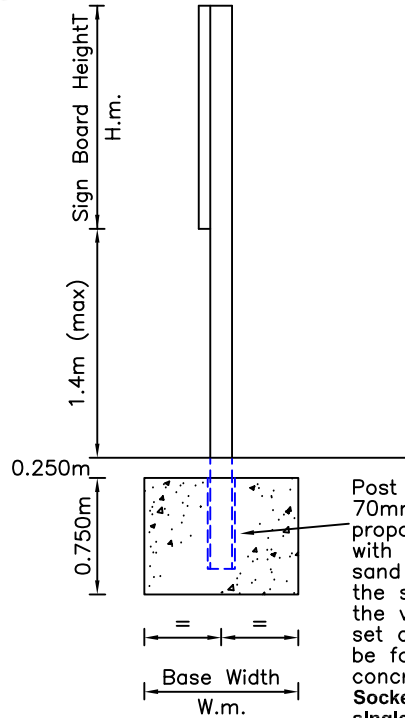
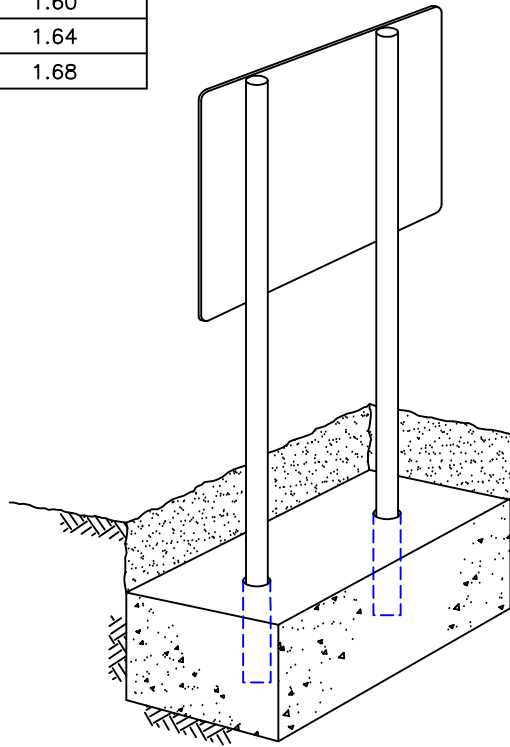
SIGN BOARD HEIGHT=H.m. METRES	MINIMUM BASE WIDTH=W.m. METRES
2.00	1.13
2.10	1.16
2.20	1.20
2.30	1.24
2.40	1.28
2.50	1.31
2.60	1.35
2.70	1.39
2.80	1.43
2.90	1.46
3.00	1.50
3.10	1.53
3.20	1.57
3.30	1.60
3.40	1.64
3.50	1.68



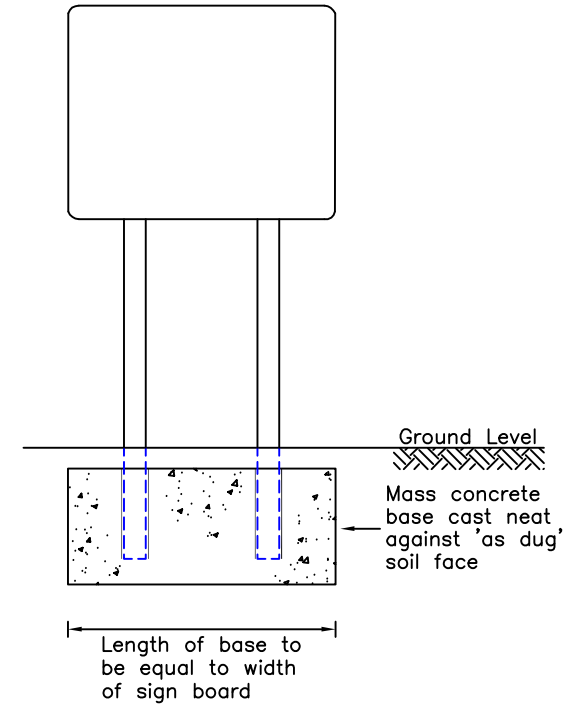
Leicestershire  
County Council

NOTES:

1. Concrete is to be Class C10.

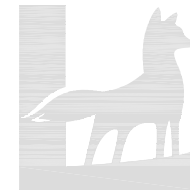


Post sockets are to be 25mm to 70mm greater diameter than the proposed post and void filled with 3mm grit or kiln dried sharp sand upto 100mm of the top of the socket. The top 100mm of the void to be filled with rapid set cement mortar. Sockets may be fabricated from PVC, MDPE, concrete or earthenware pipes. **Sockets are not to be used on single post sign assemblies.**



**DESIGN ASSUMPTIONS**

Wind Pressure =  $1.54 \text{ kn/m}^2$   
 F. of S. Against Overturning = 1.5  
 Max Bearing Pressure =  $85 \text{ kn/m}^2$   
 Sign is mounted at maximum of 1.50m above ground level



Leicestershire  
County Council

©Crown copyright 2007. All rights reserved. Use of this Image is limited to viewing on-line and printing one copy. Leicestershire County Council. 100019271.