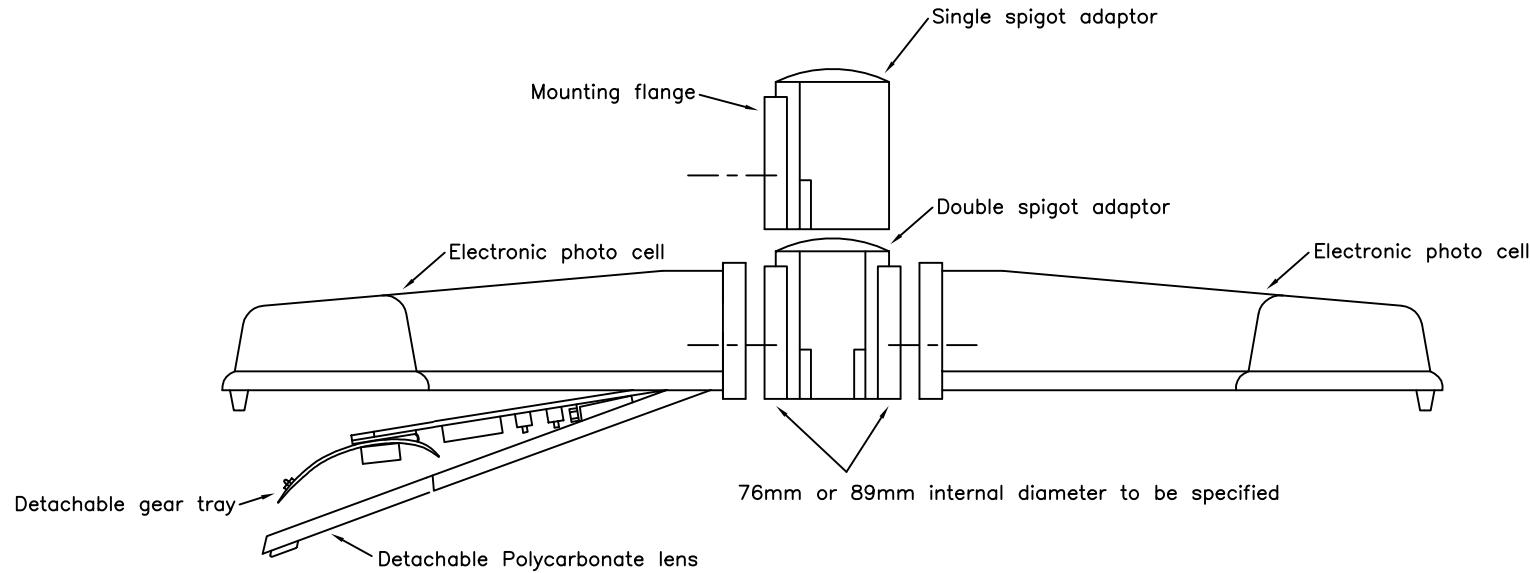




Leicestershire
County Council



LIGHT UNIT
(Type Simmonsigns LUA or LUB
or similar approved)



Leicestershire
County Council

NOTES:

BODY/MOUNTING

1. To be manufactured using die cast aluminium, chromate primed and polyester powder coated, colour 'Aircraft Grey' BS 381C 1980 No 693. All threads to be stainless steel brushed.

LENS

2. To be 3mm thick clear polycarbonate.

3. All external fastenings to be stainless steel.

PHOTO CELL

4. Solid state electronic with positive switching differential, 70 lux-on.

5. Body to be constructed to meet or exceed IP 54.

6. Lighting to be via 1 x 11w PL fluorescent for LUA Model and 2 x 11w PL fluorescent for LUB Model. All circuits to be individually fused with power factor correction. Light output to conform to BS 873 Part 5:1983 and must satisfy a mean luminance category of 1 on signs up to 1.5m x 1.5m.

7. Reflector to be polished anodised aluminium to BS 147 (1987) 5:4.

8. Mounting unit to feature an anti-rotational design.

©Crown copyright 2007. All rights reserved. Use of this image is limited to viewing on-line and printing one copy. Leicestershire County Council. 100019271.

DRAWING NUMBER	DATE		
SD/12/21 ^B	JANUARY 2000		
AUTOCAD REF	SCALE	B	OCT 2007
K:\GENERAL\ID9997\STD\DRG\SD1221A	NOT TO SCALE	A	APRIL 2002
		Rev	Date
			Notes on Revision
			Specification amended
			Alternative Light Unit omitted