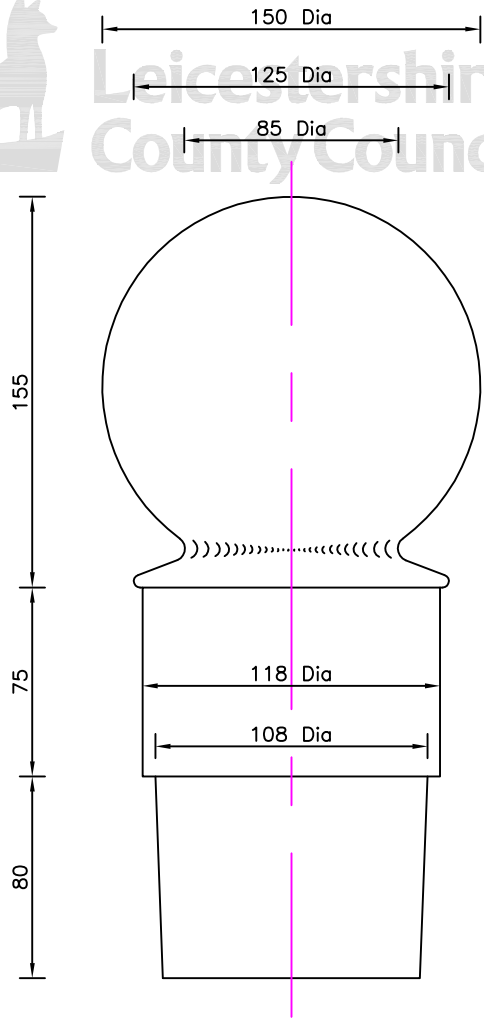
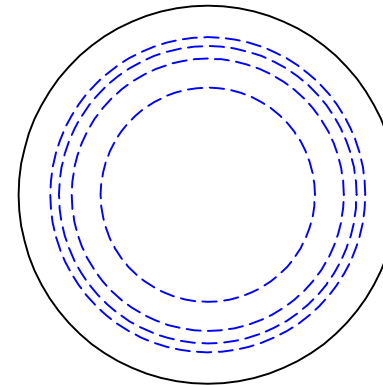




Leicestershire
County Council



FRONT/SIDE ELEVATION



PLAN

NOTES:

1. All dimensions are in millimetres unless otherwise stated.
2. The Finial to be inserted into the post tube by means of a mallet and a timber cup shaped dolly.
3. The Finial shall be constructed in hollow glass reinforced polyester. The top of the sphere to be thickened to withstand the stresses during installation.



Leicestershire
County Council

©Crown copyright 2007. All rights reserved. Use of this image is limited to viewing on-line and printing one copy. Leicestershire County Council. 100019271.

DRAWING NUMBER	DATE			
SD/12/25	APRIL 2007			
AUTOCAD REF	SCALE			
K:\GENERAL\ID9997\STDDRG\SD1225	NOT TO SCALE	Rev	Date	Notes on Revision