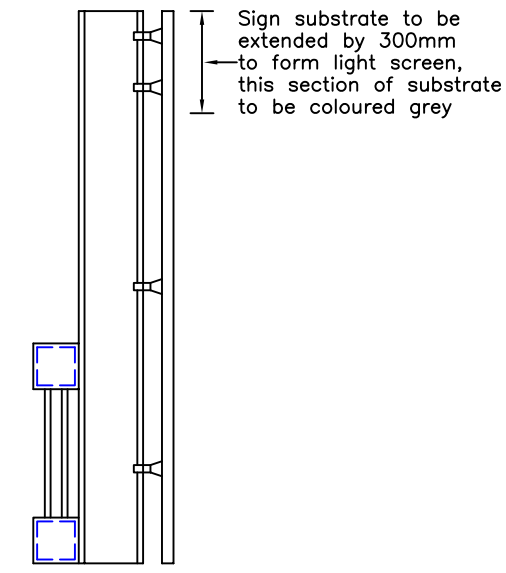
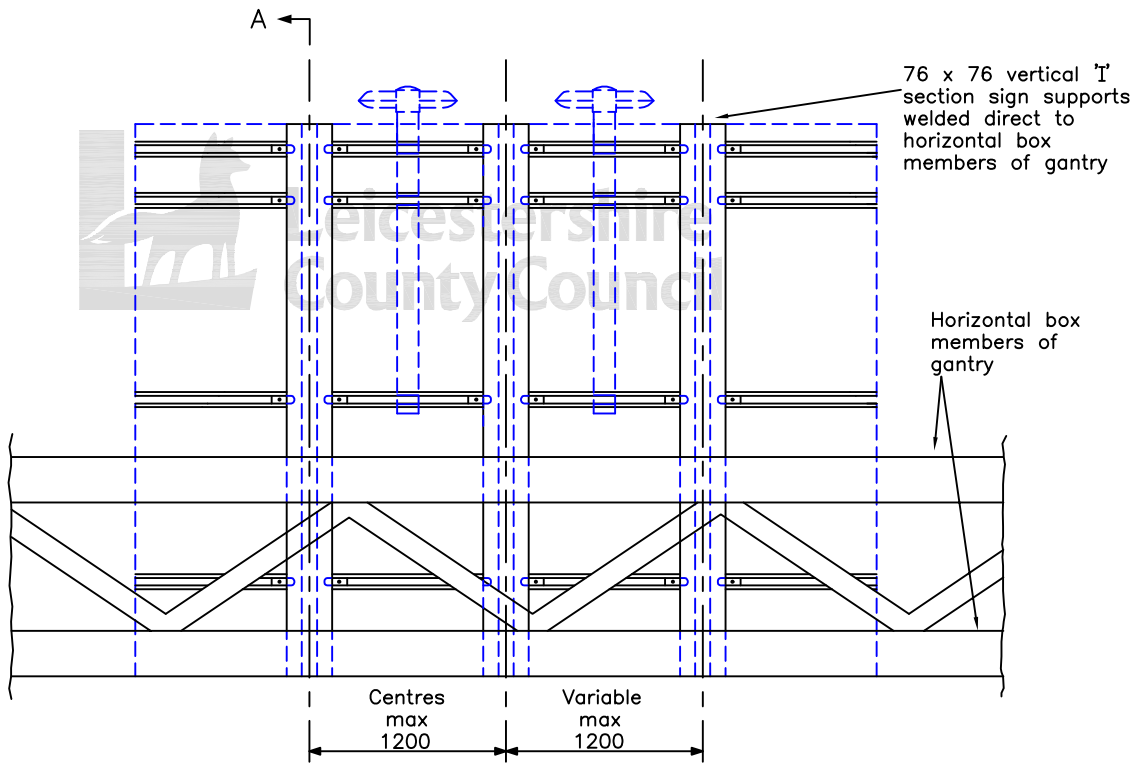


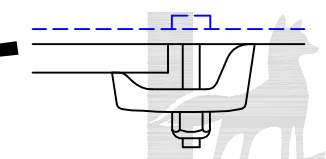
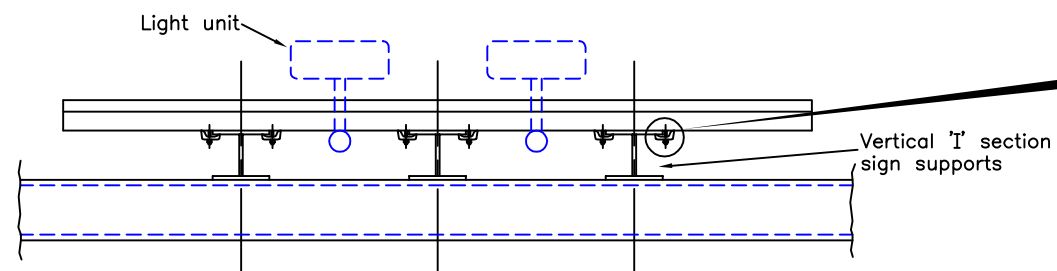
NOTES:

1. All dimensions are in millimetres unless otherwise stated.



SECTION A - A

REAR VIEW OF SIGN FIXED TO GANTRY



UNIVERSAL CHANNEL CLAMP

PLAN VIEW OF SIGN AND LIGHTING UNIT

Leicestershire County Council

©Crown copyright 2007. All rights reserved. Use of this image is limited to viewing on-line and printing one copy. Leicestershire County Council. 100019271.

DRAWING NUMBER	DATE			
SD/12/26	APRIL 2007			
AUTOCAD REF	SCALE			
K:\GENERAL\ID9997STDDRG\SD1226	NOT TO SCALE	Rev	Date	Notes on Revision