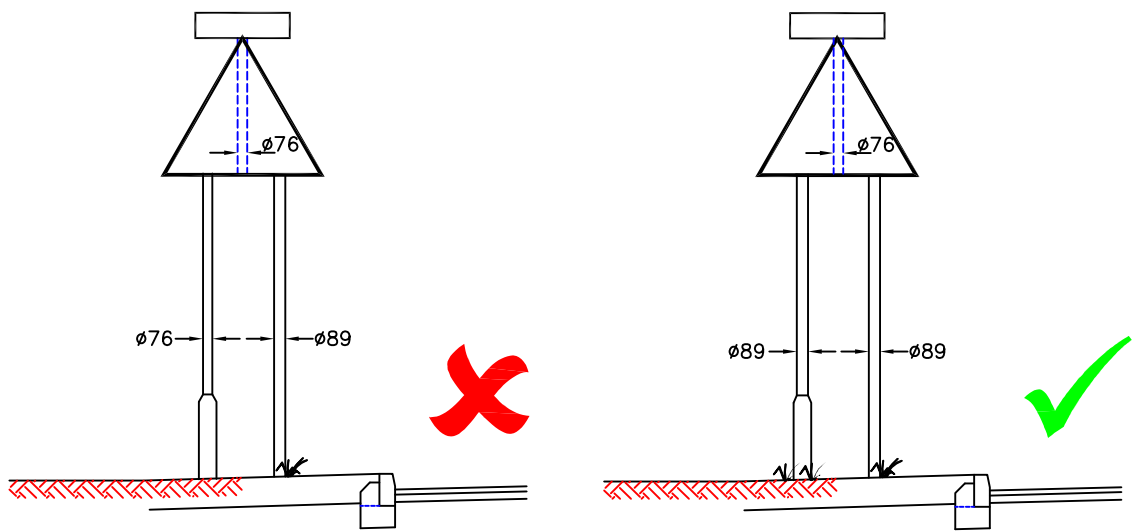
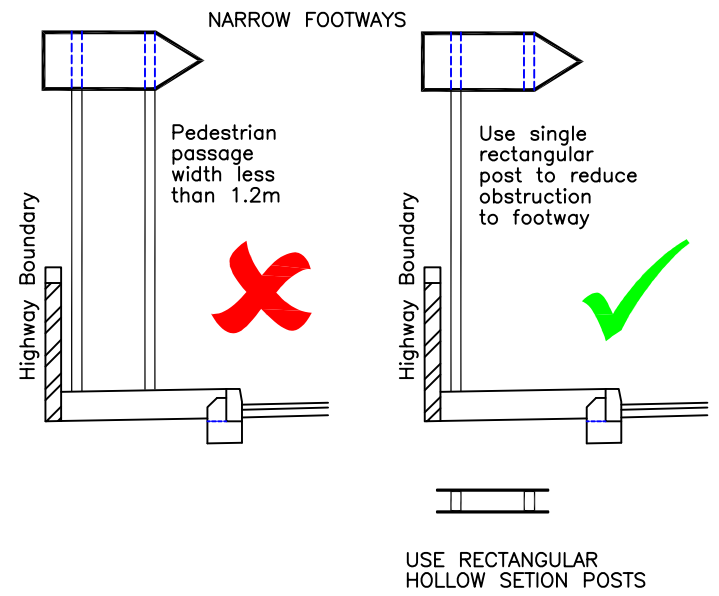
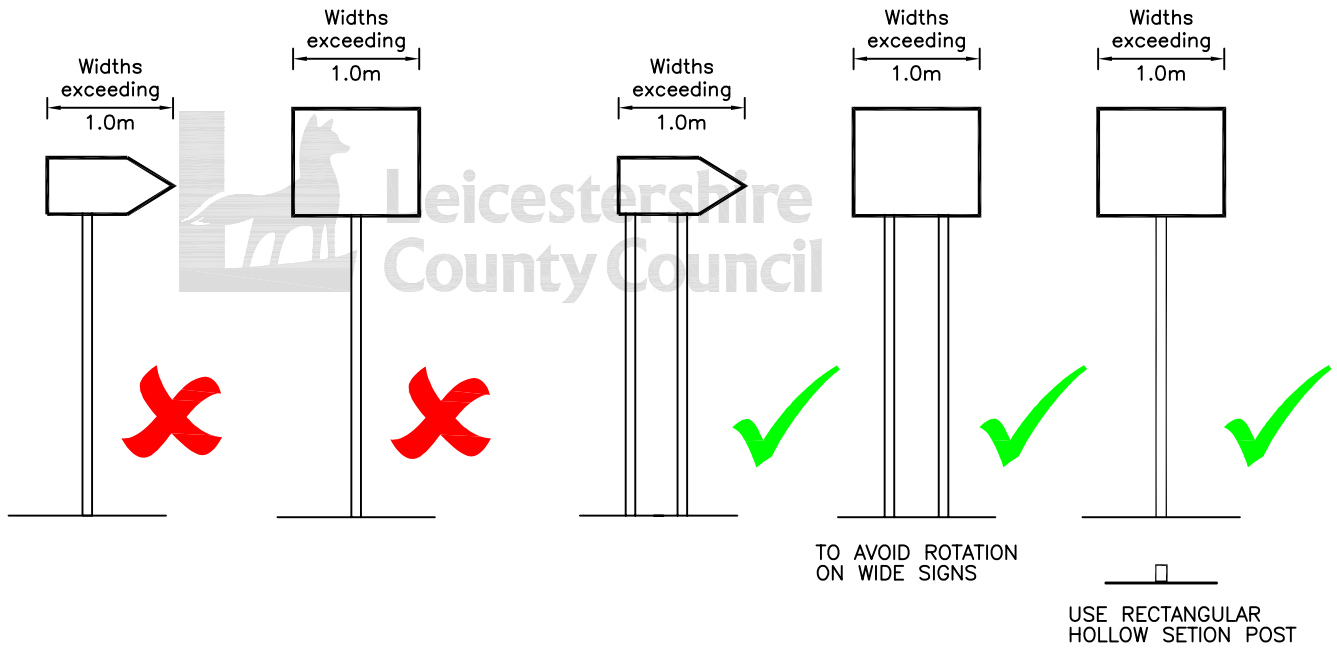
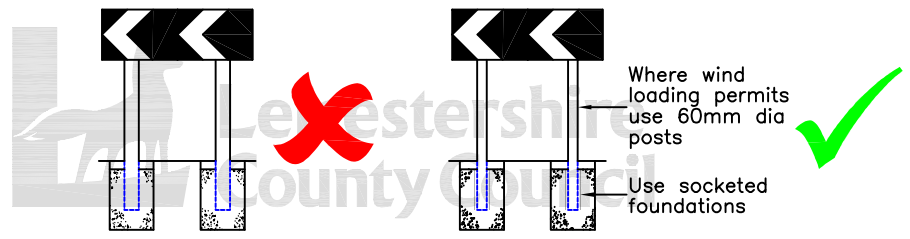


NOTES:
 1. A 900mm high triangular warning sign having a width of 1.018m may be permitted on a single post.
 2. The maximum distance between posts shall normally be no greater than 2.0m.



ON SIGNS WITH TWO POSTS (ONE BEING LARGE BASE) ENSURE THE MAIN POST SIZES MATCH



FOR CHEVRONS AND OTHER SIGNS ON BENDS

© Crown copyright 2007. All rights reserved. Use of this image is limited to viewing on-line and printing one copy. Leicestershire County Council. 100019271.

DRAWING NUMBER	DATE			
SD/12/3	APRIL 2007			
AUTOCAD REF	SCALE			
K:\GENERAL\ID9997\STDDRG\SD123	NOT TO SCALE	Rev	Date	Notes on Revision