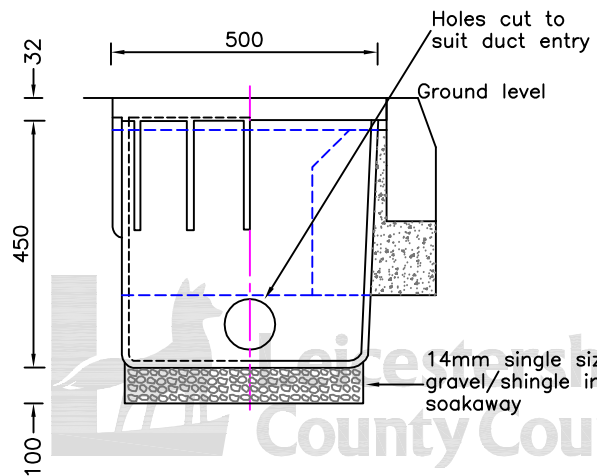
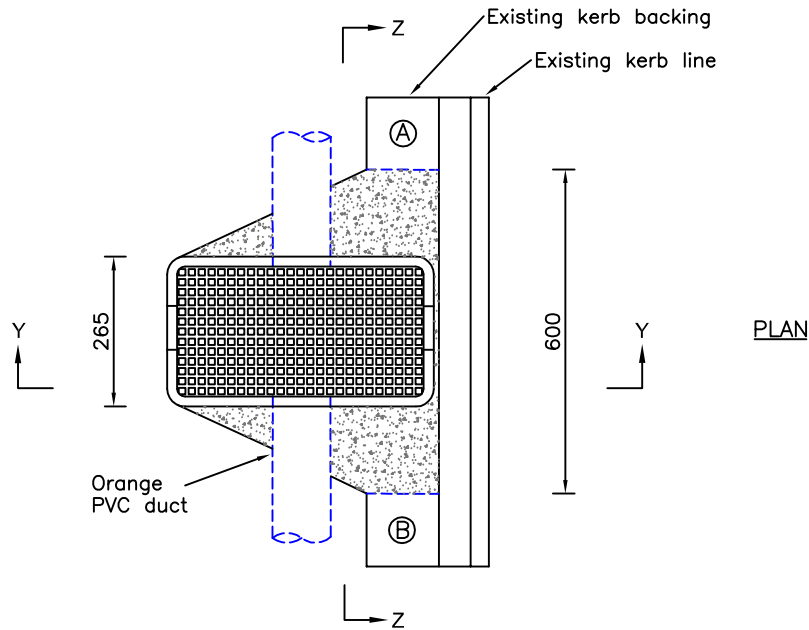


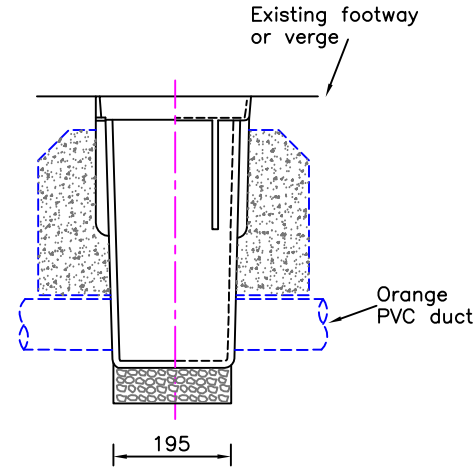
NOTES:

GENERAL

1. All dimensions are in millimetres unless otherwise stated.
2. All wall thicknesses 5.
3. Chamber and lid to be supplied by Leicestershire County Council.
4. Kerb backing to be removed such that chamber can be shown and reinstated as necessary.
5. In certain circumstances chamber may be sawn to fit round an obstruction, or orientated with longer side against the kerb subject to approval of Engineer.
6. Bottom of chamber to be drilled to allow drainage to soakaway.
7. Covers to finish flush with footway or verge level.



SECTION Y - Y



SECTION Z - Z

TYPE B - "BISCUIT BARREL"

©Crown copyright 2007. All rights reserved. Use of this image is limited to viewing on-line and printing one copy. Leicestershire County Council. 100619271.

DRAWING NUMBER	DATE			
SD/12/31	APRIL 2007			
AUTOCAD REF	SCALE			
K:\GENERAL\ID9997\STDDRG\SD1231	NOT TO SCALE	Rev	Date	Notes on Revision