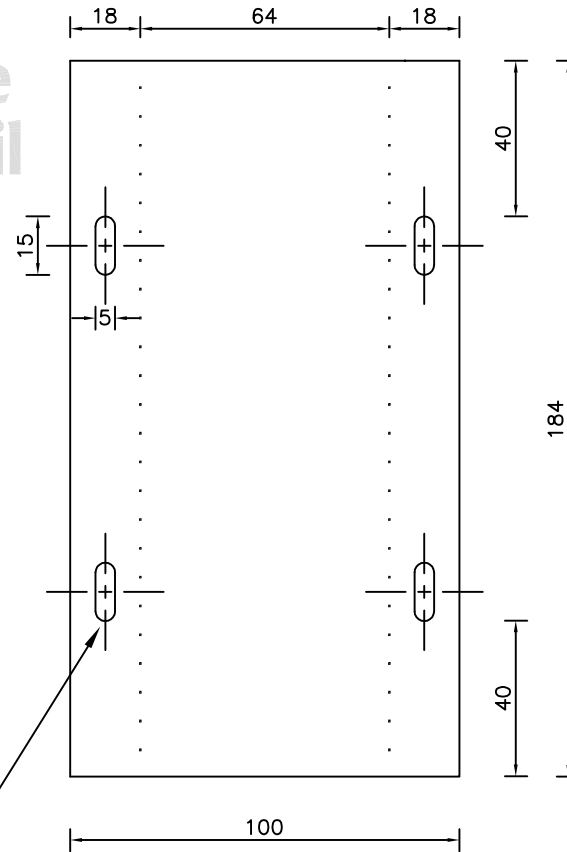




Leicestershire
County Council



Centrally placed slots
5mm wide x 15mm long
to be cut during manufacture

PLATE



SIDE ELEVATION

NOTES:

All dimensions are in millimetres unless otherwise stated.

Construction materials as follows:

PLATE - 16 Gauge aluminium plate powder coated satin black and formed and punched as shown on drawing.

REFLECTIVE NUMBERS -

40mm high for illuminated signs and 50mm high for street lighting, yellow self-adhesive Class Ref 2 reflective engineering grade material. All surfaces should be clean, dry and free from grease before application.

NYLON ZIP TIES -12mm wide x 550mm long, self locking cable ties moulded in UV resistant (for outdoor use), black nylon 66.

NOTE -

Design based upon product supplied by : Nuneaton Signs, Kelsey Close, Attleborough Industrial Estate, Nuneaton, Warwickshire CV11 6RS. Tel No 0247 634 1922

SIMILAR PRODUCTS MUST BE APPROVED BEFORE USE



Leicestershire
County Council

©Crown copyright 2012. All rights reserved. Use of this image is limited to viewing on-line and printing one copy. Leicestershire County Council. 100019271.


 DEPARTMENT OF HIGHWAYS
 TRANSPORTATION AND
 WASTE MANAGEMENT

TITLE:	STANDARD DRAWING	TRAFFIC SIGNS
	NUMBERING SYSTEM FOR STREET LIGHTING AND ILLUMINATED SIGNS	

DRAWING NUMBER	DATE
SD/12/36 ^B	APRIL 2002
AUTOCAD REF	SCALE
K:\GENERAL\ID9997STDDRG\SD1236A	NOT TO SCALE

B	JUNE 2012	NYLON ZIP TIES - Note amended
A	DEC 2006	New System
Rev	Date	Notes on Revision

THE FOLLOWING DRAWING IS SD/12/39^A