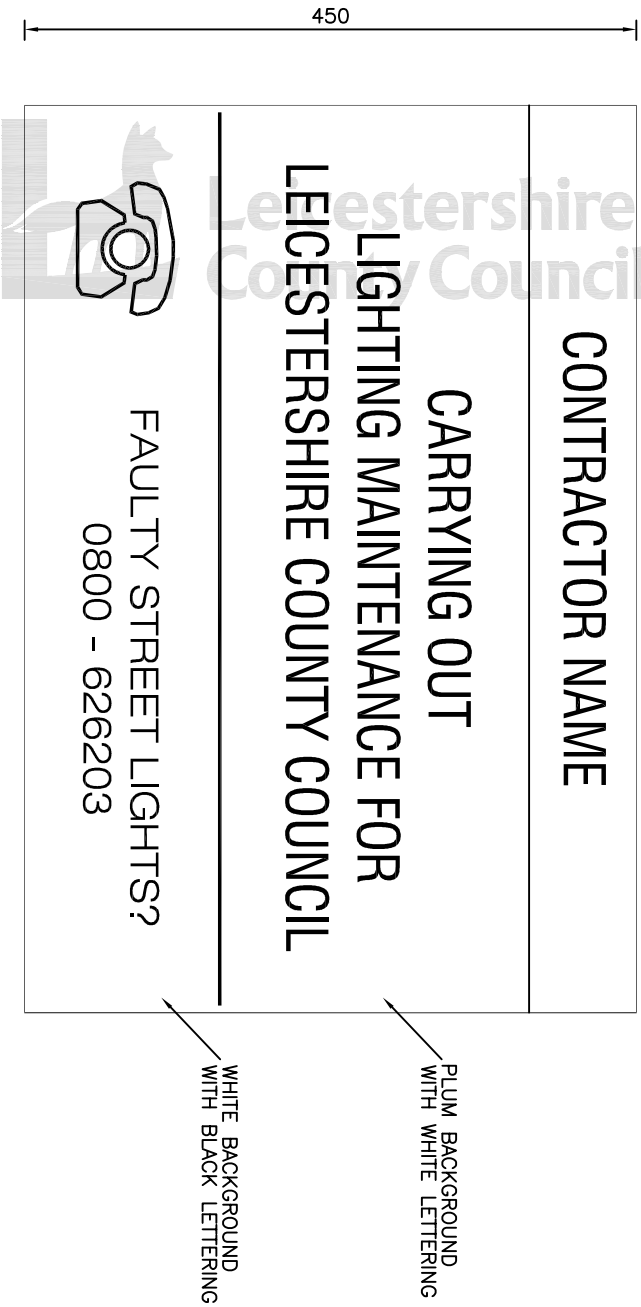
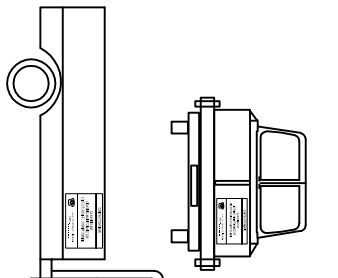
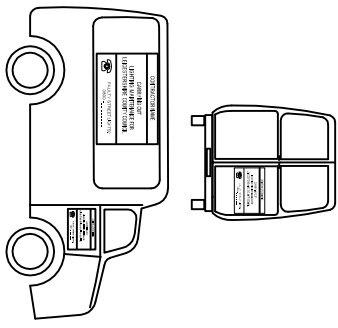
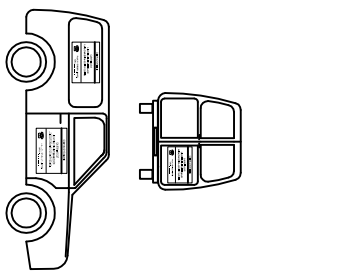


- NOTES:
1. All dimensions are in millimetres unless otherwise stated.
 2. All dimensions shown are minimum dimensions.
 3. Fine details of colours etc to be notified.



THREE SIGNS AS ABOVE TO BE FIXED TO EVERY MAINTENANCE VEHICLE
 — ONE AT REAR, ONE ON EACH SIDE, (ALTERNATIVE POSITIONS SHOWN)



©Crown copyright 2007. All rights reserved. Use of this image is limited to viewing on-line and printing one copy. Leicestershire County Council. 100619271.

 DEPARTMENT OF HIGHWAYS TRANSPORTATION AND WASTE MANAGEMENT	TITLE: STANDARD DRAWING SIGNS ON CONTRACT VEHICLES	TRAFFIC SIGNS	DRAWING NUMBER SD/12/46	DATE APRIL 2007			
			AUTOCAD REF K:\GENERAL\ID9997\STD\DRG\SD1246	SCALE NOT TO SCALE	Rev	Date	Notes on Revision