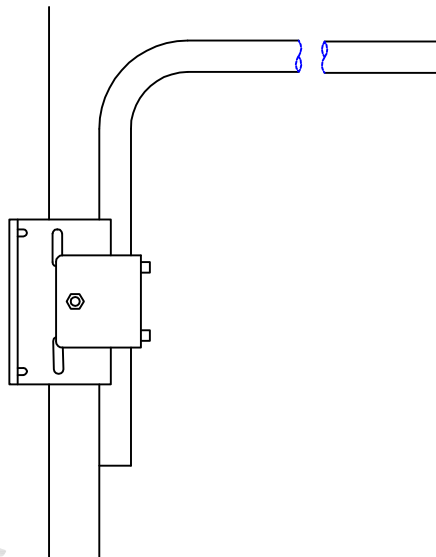
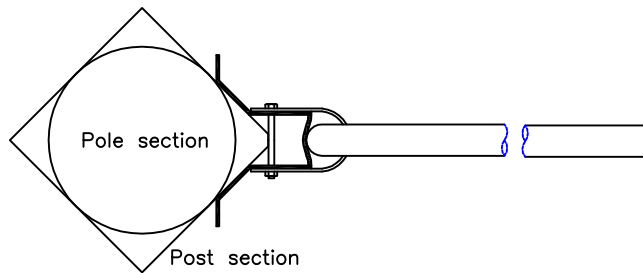




Leicestershire  
County Council

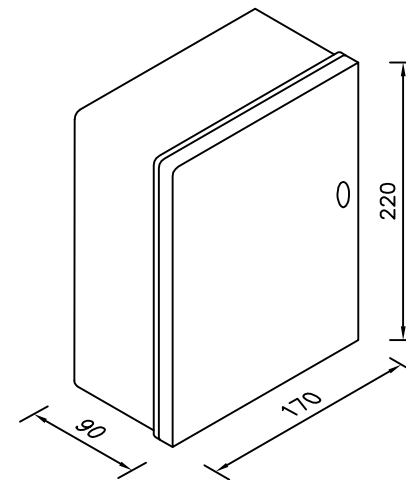
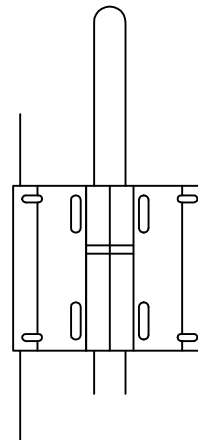
NOTES:

1. All dimensions are in millimetres unless otherwise stated.
2. Galvanised bracket and backplate.
3. Maximum projection bracket 1m.
4. Cut-out box moulded GRP with 12mm backboard bonded into the back of the box. (Sealed to IP 65).
5. Cut-out box to be mounted directly under bracket using bush with earth tag.
6. When bracket is fixed to Electricity pole minimum clearance between lowest conductor and bracket must be 1m. The minimum clearance from the lantern must be 1.5m.
7. Pole bracket and cut-out box to be Pudsey Diamond (or similar approved).



40

POLE BRACKET



CUT-OUT BOX



Leicestershire  
County Council

©Crown copyright 2007. All rights reserved. Use of this image is limited to viewing on-line and printing one copy. Leicestershire County Council. 100619271.

DRAWING NUMBER	DATE			
SD/13/17	APRIL 2007			
AUTOCAD REF	SCALE			
K:\GENERAL\ID9997\STDDRG\SD1317	NOT TO SCALE	Rev	Date	Notes on Revision