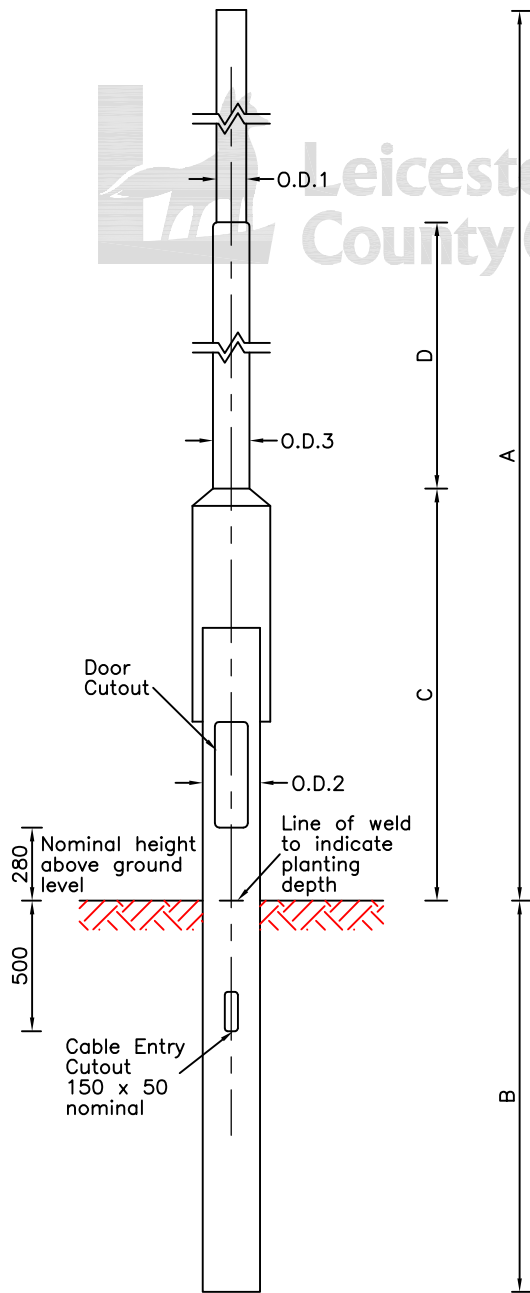


NOTES:  
 1. All dimensions are in millimetres unless otherwise shown.  
 2. Design to comply with BS 5649, Series 1300.



| COLUMN HEIGHT | DIMENSION A | DIMENSION B | DIMENSION C | DIMENSION D | O.D.1 | O.D.2 | O.D.3 | DOOR APERTURE | SPIGOT DIMENSIONS |
|---------------|-------------|-------------|-------------|-------------|-------|-------|-------|---------------|-------------------|
| 10            | 10000       | 1500        | 1580        | 4230        | 114   | 219   | 140   | 406 x 127     | 76 x 100          |
| 12            | 12000       | 1700        | 1580        | 5250        | 114   | 219   | 140   | 406 x 127     | 76 x 100          |

BS EN 40 COLUMN SPECIFICATION STANDARD REQUIREMENTS

MEAN AVERAGE WIND SPEED = 22m/sec  
 SITE ALTITUDE = AVERAGE 150m  
 TERRAIN TYPE GROUP A COLS = II, GROUP B TYPE COLS = III  
 TOPOGRAPHY = 1.0  
 RATIONALISED WIND SPEED = MEDIUM  
 SAFETY FACTOR = CLASS B  
 DEFLECTION = CLASS 3  
 FATIGUE CHECK = BD 26/04  
 ROAD SIGN ATTACHMENT = CLASS A  
 FOUNDATION TYPE = AVERAGE  
 COLUMN FINISH = G1



©Crown copyright 2007. All rights reserved. Use of this image is limited to viewing on-line and printing one copy. Leicestershire County Council. 100019271.