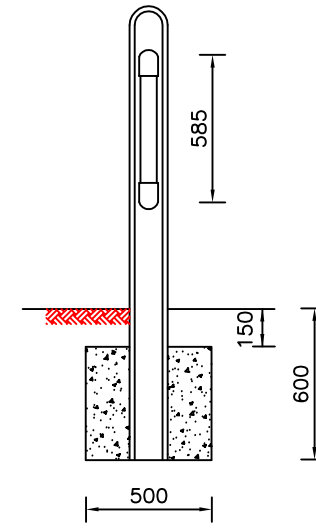
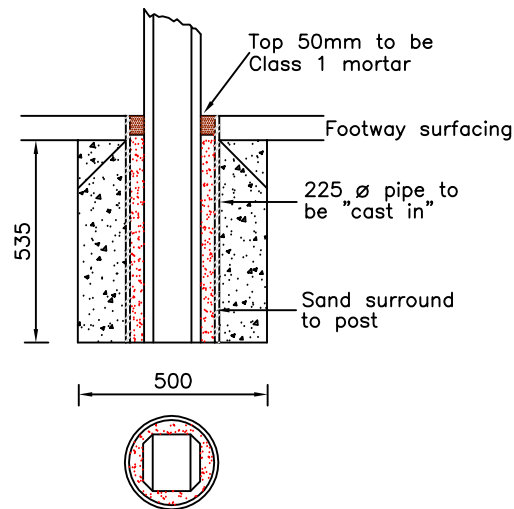


ELEVATION



FOUNDATION DETAIL

ALTERNATIVE FOUNDATION
DETAIL IN PAVED AREA



NOTES:

1. All dimensions are in millimetres unless otherwise stated.
2. Where directed painting shall be white masonry paint on posts and railings to be painted using "Finnegan's" or similar galvanised metal primer plus top coat of white "Hammerite" using second coat where required within 3 hours. Paint to be applied in accordance with manufacturers recommendations.
3. Edge of excavation to be used as formwork for grade C15 concrete foundation up to 150mm of existing ground level. To be "topped off" using "as dug" topsoil from excavation.
4. Where brook railing posts are to be set in paved or concreted areas the alternative foundation detail to be used as directed.



©Crown copyright 2007. All rights reserved. Use of this image is limited to viewing on-line and printing one copy. Leicestershire County Council. 100019271.

DRAWING NUMBER	DATE			
SD/3/21	SEPTEMBER 2002			
AUTOCAD REF	SCALE			
K:\GENERAL\ID9997\STDDRG\SD321A	NOT TO SCALE	Rev	Date	Notes on Revision