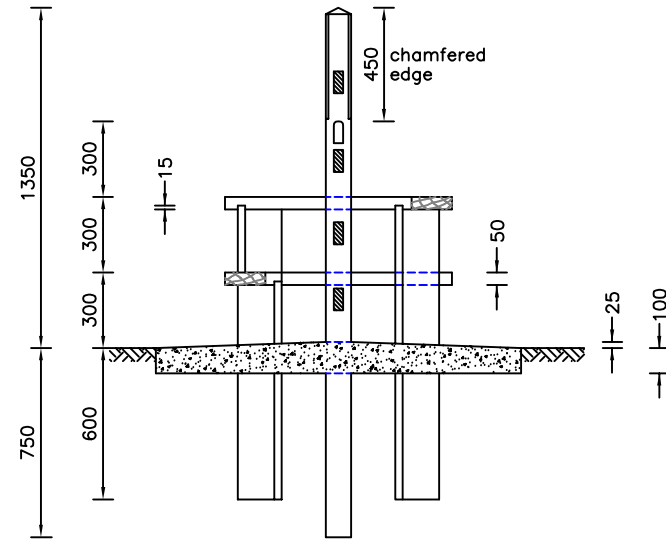
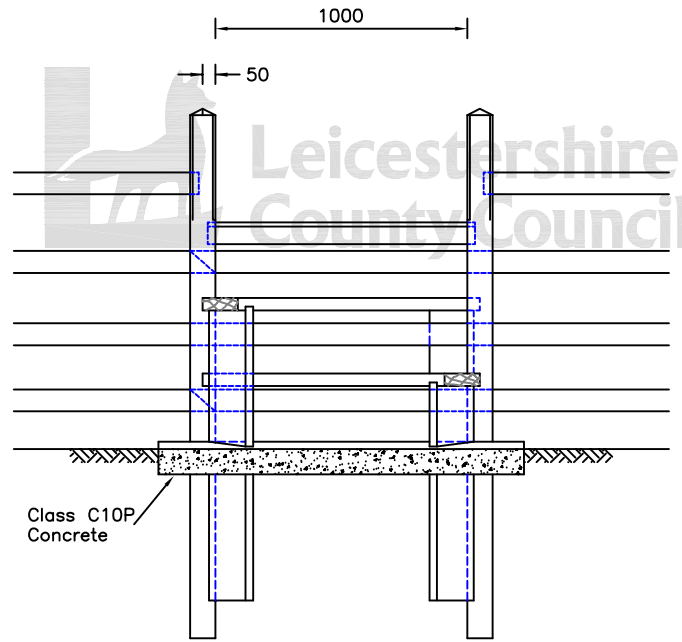
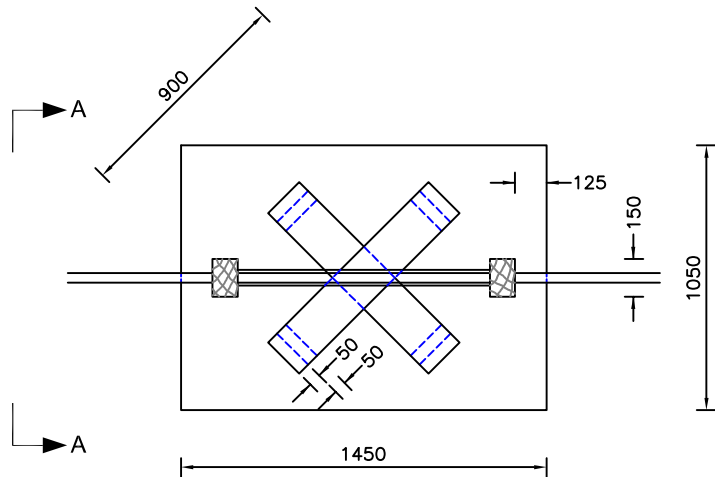


NOTES:
1. For Notes see Drg No SD/3/25



SECTION A - A



DESCRIPTION OF MATERIAL	SIZE
Posts	100 x 150 x 2100 long
Crosshead wrought. Top edge double chamfered	87 x 38
Steps	175 x 50 x 900 long
Supports	Two 175 x 50 x 1165 long
Secured by two 100 long x 4 galvanised round wire nails skew driven	Two 175 x 50 x 865 long

©Crown copyright 2007. All rights reserved. Use of this image is limited to viewing on-line and printing one copy. Leicestershire County Council. 100019271.



BRUCE JAMIESON
DIRECTOR
B.Sc (Hons.), M.Sc., C.Eng., MICE., MHIT.

TITLE:
STANDARD DRAWING
TIMBER STILE - TYPE 1

FENCING

DRAWING NUMBER	DATE
SD/3/31	SEPTEMBER 2002
AUTOCAD REF	SCALE
K:\GENERAL\ID9997\STDDRG\	NOT TO SCALE

Rev	Date	Notes on Revision