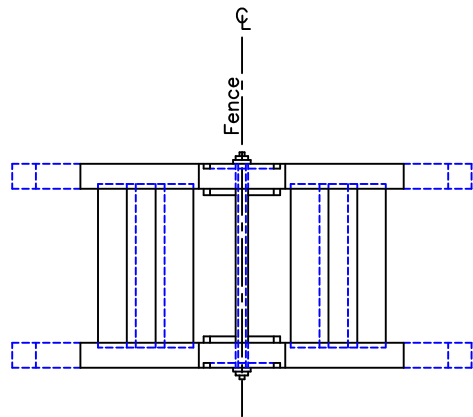


NOTES:  
 1. For Notes see Drg No SD/3/25  
©Crown copyright 2007. All rights reserved. Use of this image is limited to viewing on-line and printing one copy. Leicestershire County Council. 100019271.



DESCRIPTION OF MATERIAL	SIZE	FIXING AND FITTINGS
Timber Posts	Four 100 x 100 x 2900 long	Two 10 diameter x 115 long coach bolts complete with nuts and washers. Each post shall be halved where it crosses the other post.
Steel through bolt and pipe spacer		One 13 diameter shank x 850 long threaded for 25 at each end complete with two nuts. Four 50 diameter x 3 washers and with one 554 long pipe spacer.
Timber Treads	Six 150 x 38 x 650 long	Each tread secured to the posts by two 150 long x 6 round wire nails at each end. Treads to be housed in the posts.
Timber Crosshead	One 75 x 50 x 810 long	Top edge double chamfered, each end shaped to triangular section 100 either end.
Timber Cleat	Four 75 x 25 x 345 long	Secured to each post by two 100 long x 4 round wire nails dovetail driven.