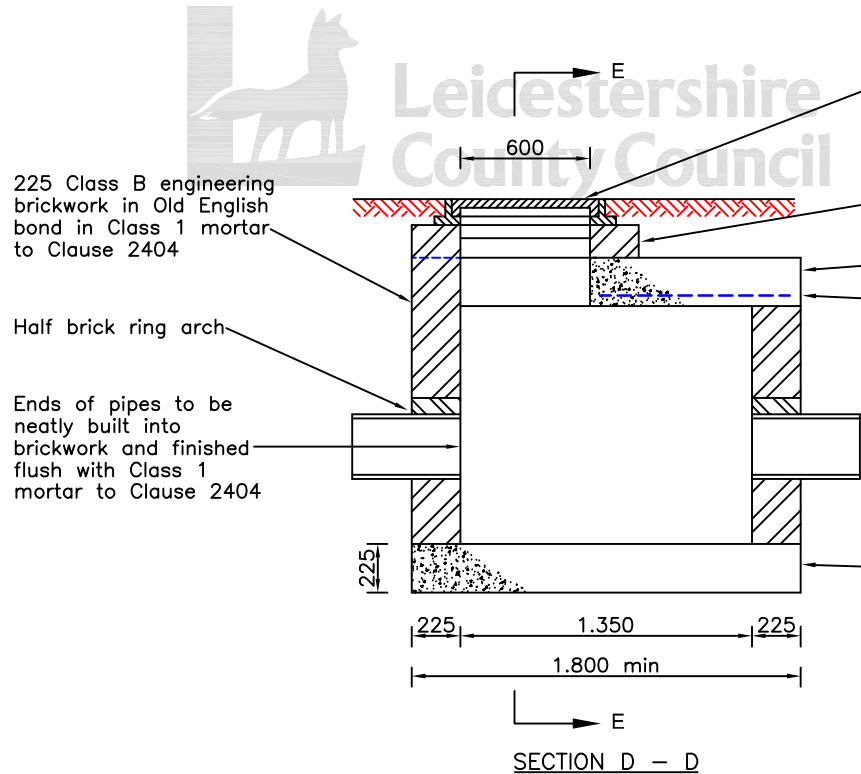


# TYPICAL DETAILS OF BRICK CATCHPIT

(Pipe diameter 100 - 450, depth to top of base slab 1.3 - 3.0) see Note 9

NOTES:  
1. For Notes see Drg No **SD/5/16**.



Manhole cover and frame bedded on mortar in accordance with Drg No **SD/5/18**

Maximum 4 courses, minimum 2 courses Class B engineering bricks. Mortar and bedding material as stated on Drg No **SD/5/18**

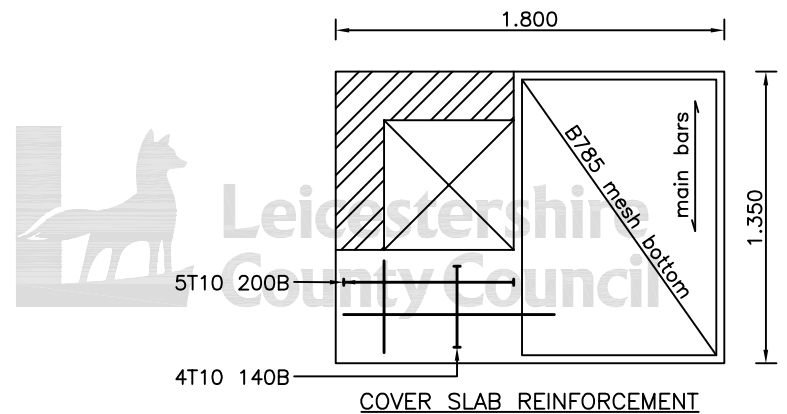
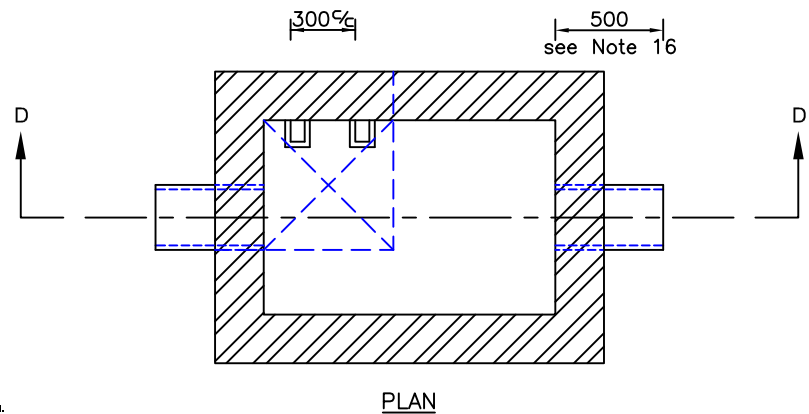
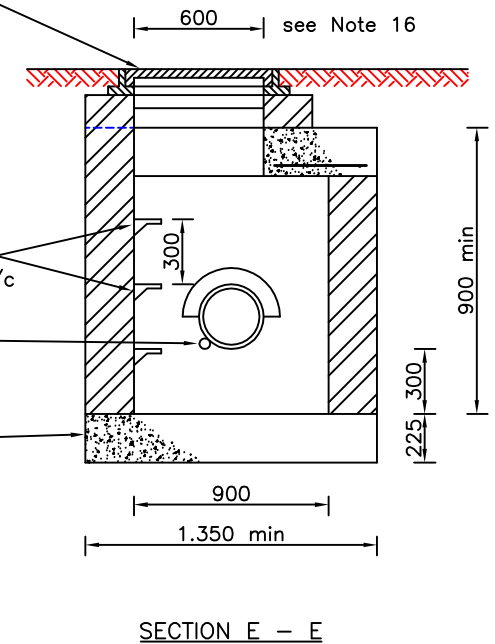
Reinforced concrete (C20P) cover slab

B785 mesh

Galvanised step irons to BS 1247 staggered at 300 °/c

Weep hole (see Note 10)

Base slab in concrete Class C20P



©Crown copyright 2007. All rights reserved. Use of this image is limited to viewing on-line and printing one copy. Leicestershire County Council. 100019271.

DRAWING NUMBER	DATE			
SD/5/20	SEPTEMBER 2002			
AUTOCAD REF	SCALE			
K:\GENERAL\ID9997\STDDRG\SD520	NOT TO SCALE	Rev	Date	Notes on Revision