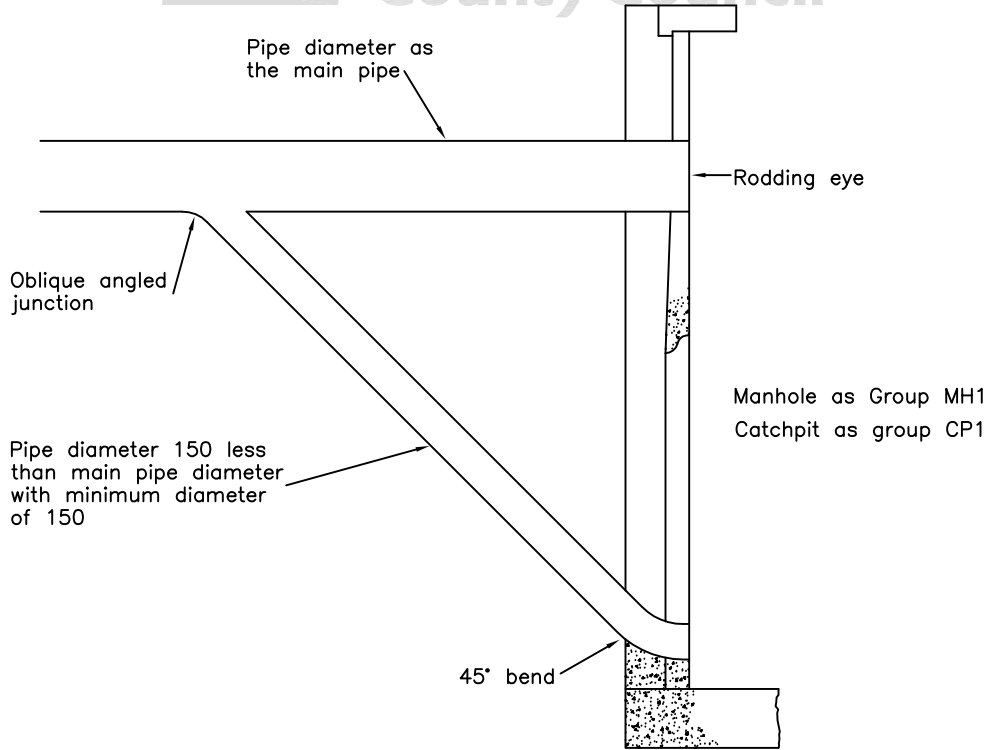
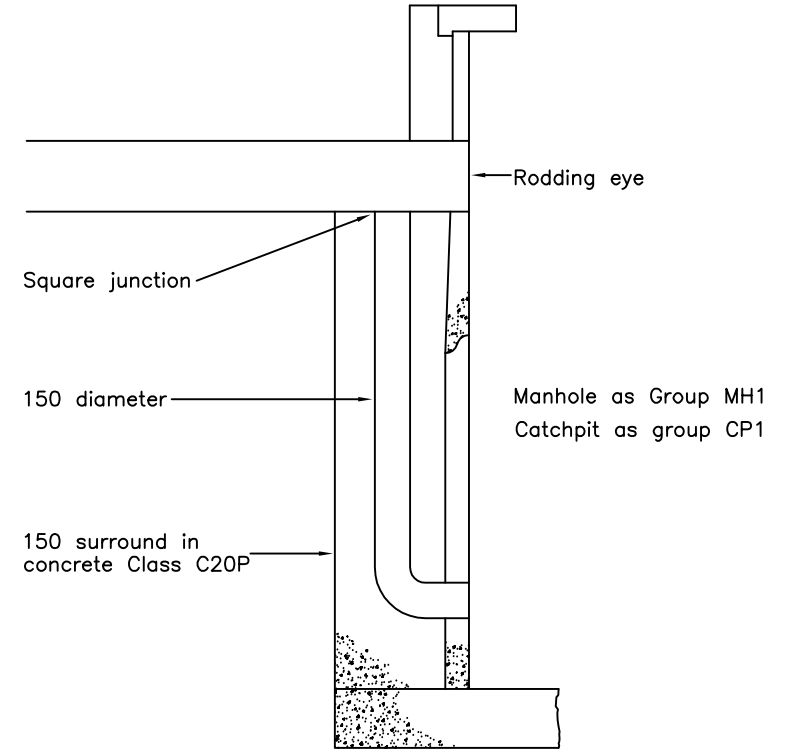


BACKDROPS

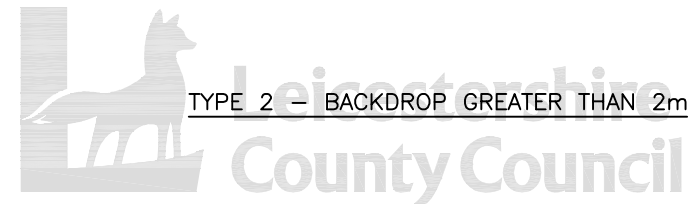
- NOTES:
1. For Notes see Drg No [SD/5/18].
 2. All dimensions in millimetres unless otherwise stated.



TYPE 1 – BACKDROP LESS THAN 2m



TYPE 2 – BACKDROP GREATER THAN 2m



©Crown copyright 2007. All rights reserved. Use of this image is limited to viewing on-line and printing one copy. Leicestershire County Council. 100019271.

DEPARTMENT OF HIGHWAYS
TRANSPORTATION AND
WASTE MANAGEMENT

TITLE:	STANDARD DRAWING	DRAINAGE
	BACKDROPS	

DRAWING NUMBER	DATE
SD/5/25	SEPTEMBER 2002
AUTOCAD REF	SCALE
K:\GENERAL\ID9997\STDDRG\SD525	NOT TO SCALE

Rev	Date	Notes on Revision

THE FOLLOWING DRAWING IS SD/5/27