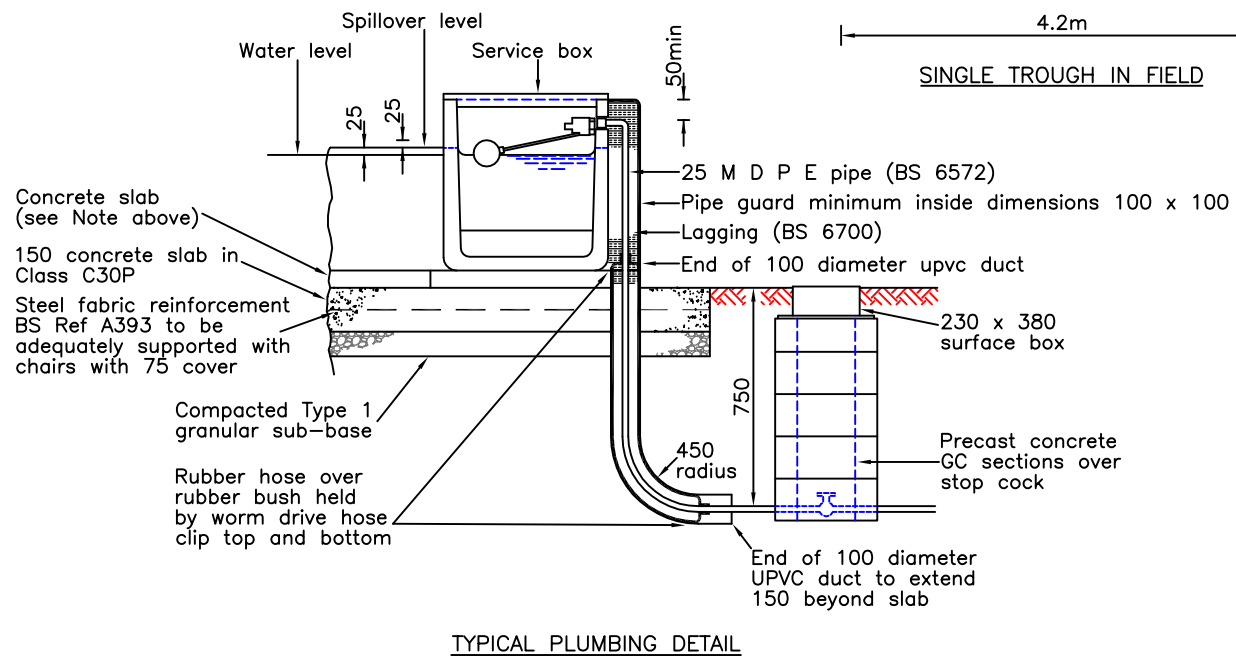
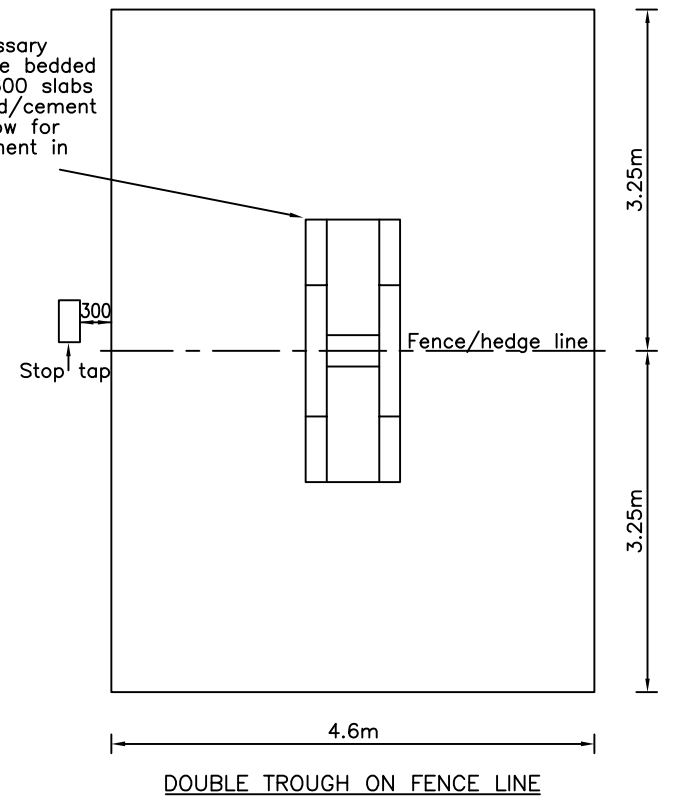
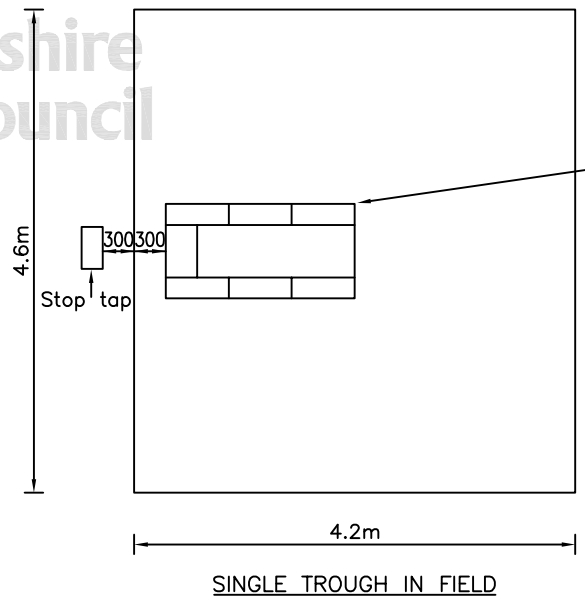
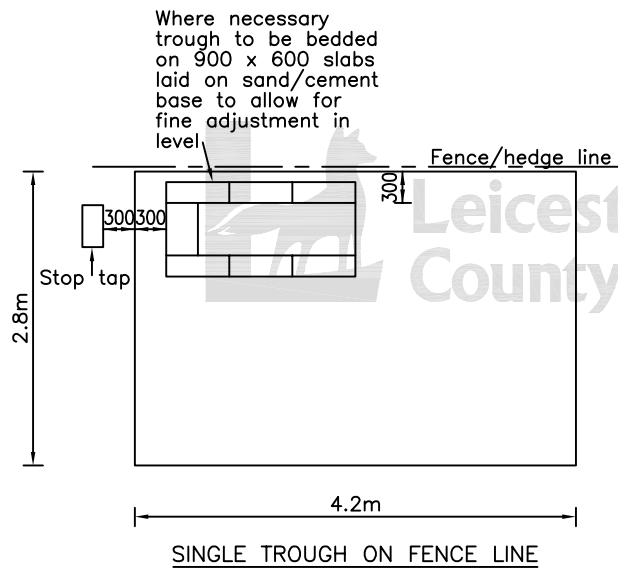


NOTES:
 1. All dimensions are in millimetres unless otherwise stated.
 2. For General Notes see Drg No SD/5/37A.



©Crown copyright 2007. All rights reserved. Use of this image is limited to viewing on-line and printing one copy. Leicestershire County Council. 100019271.

DRAWING NUMBER	DATE			
SD/5/38	SEPTEMBER 2002			
AUTOCAD REF	SCALE			
K:\GENERAL\ID9997\STDDRG\SD538	NOT TO SCALE	Rev	Date	Notes on Revision