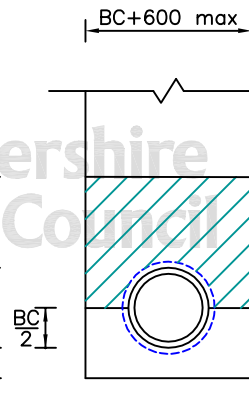
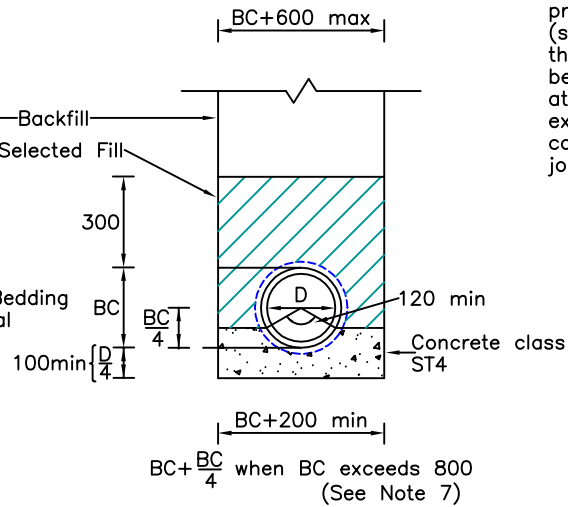


BED TYPE S
(Granular bed and surround—
bedding factor 2.2)

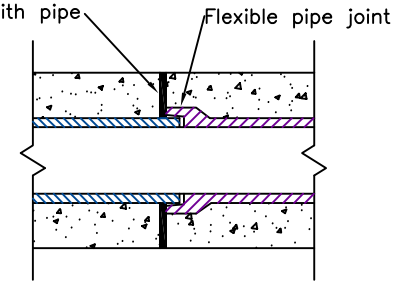


BED TYPE B
(Granular bed and haunch—
bedding factor 1.9)

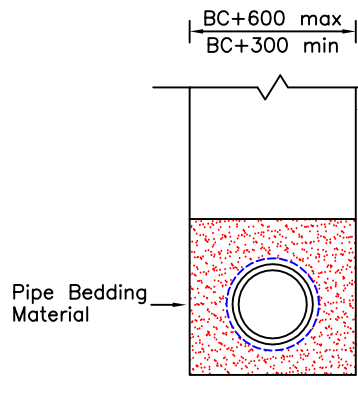


BED TYPE A
(Concrete bed—
bedding factor 2.6)

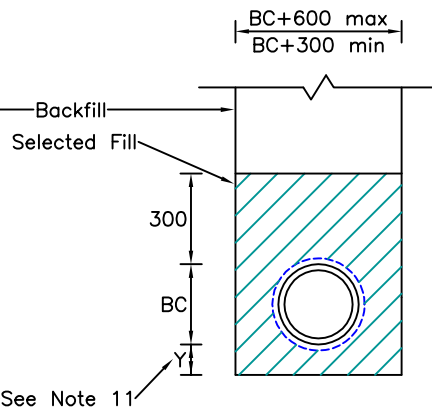
Compressible board or preformed joint filler (see note 16) for full thickness of concrete bed or surround and at intervals not exceeding 8m and to coincide with pipe joints



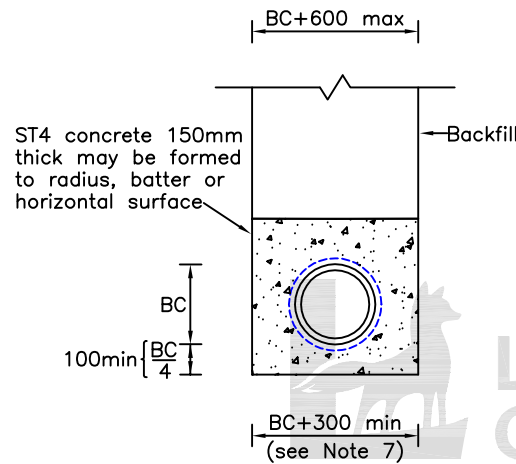
EXPANSION JOINT FOR CONCRETE
(Bed or surround)



BED TYPE E
(Granular bed and surround)



BED TYPE Q
(Bed and surround)



BED TYPE Z
(Concrete surround)

Leicestershire
County Council

©Crown copyright 2007. All rights reserved. Use of this image is limited to viewing on-line and printing one copy. Leicestershire County Council. 100619271.

For Notes see Drg No **SD/5/3**