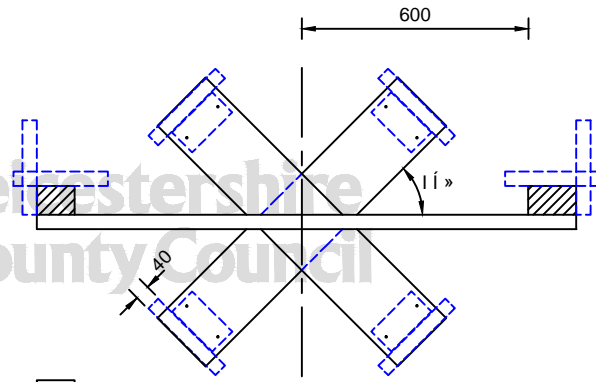


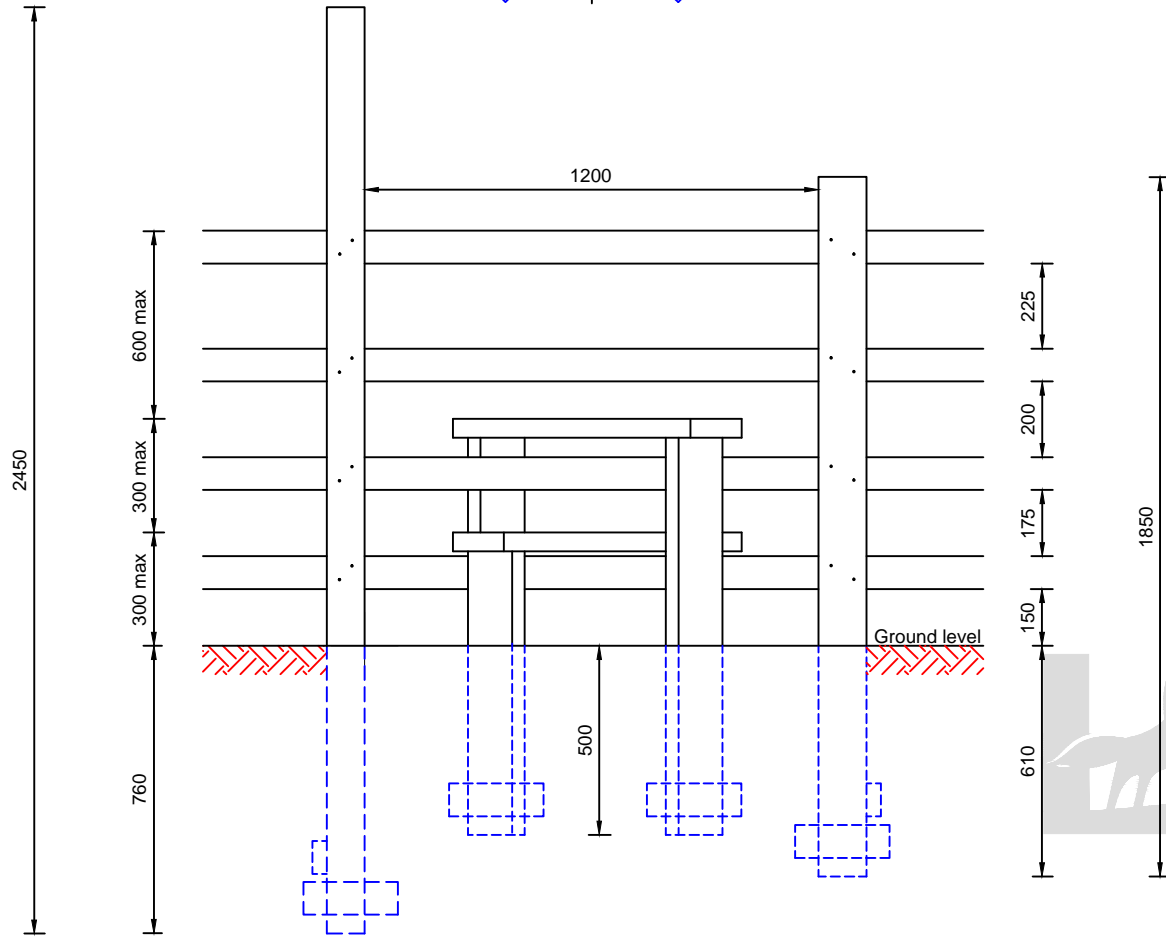
PLAN



Leicestershire
County Council



ELEVATION



- NOTES:
1. All dimensions are in millimetres unless otherwise stated.
 2. Where construction of a stile has been specified, in all cases the rails should be extended into adjacent hedges or continued either side of the stile to fill gaps and make the structure stock-proof. Hand hold post to be weather cut and steps should be skew nailed to supports.
 3. Where existing structures require to be made stable, posts should be excavated to a depth of approximately 300mm and blocks of rubble should be added as wedges, the soil returned and compacted. Loose timber should be nailed down and the structure made stock-proof, if necessary, by addition of timber rails.
 4. Where a foot stool is specified to be constructed in a fence or stile, the dimensions and height above ground should be the same as that given in the drawing.
 5. Where a stile is specified to be constructed in a barbed wire fence or wire fence, two additional posts should be used as strainer posts, to be placed at least 500mm from stile posts.
 6. Attach 2 x 250 long off-cut rail pieces to the bottom of the post using four 100mm nails, to anchor it. Post to be secured with rubble and soil compacted, unless otherwise specified.

| DESCRIPTION | DIMENSIONS | NO |
|--------------------|------------------|----|
| HAND HOLD POST | 100 x 100 x 2450 | 1 |
| POST | 127 x 76 x 1850 | 1 |
| RAILS | 38 x 87 | 4 |
| STEPS | 50 x 180 x 900 | 2 |
| LOW STEP SUPPORTS | 75 x 150 x 890 | 2 |
| HIGH STEP SUPPORTS | 75 x 150 x 1165 | 2 |

©Crown copyright 2014. All rights reserved. Use of this image is limited to viewing on-line and printing one copy. Leicestershire County Council. 100019271.

Leicestershire
County Council

ENVIRONMENT AND
TRANSPORT DEPARTMENT

TITLE: **STANDARD DRAWING RIGHTS OF WAY**

DOUBLE STEP STILE

| | |
|----------------------------|----------------|
| DRAWING NUMBER | DATE |
| SD/FP/2^A | SEPTEMBER 2007 |
| AUTOCAD REF | SCALE |
| K:\GENERAL\ID9997\STDDRG\ | NOT TO SCALE |

| | | |
|-----|------------|-------------------|
| | | |
| A | MARCH 2015 | Note 6 amended |
| Rev | Date | Notes on Revision |